

SECTION 3-3

GENERAL NOTES:

1. ALL DIMENSIONS ARE IN MM. UNLESS NOTED OTHERWISE.
2. DO NOT SCALE THE DRAWING, ONLY WRITTEN DIMENSIONS TO BE FOLLOWED.
3. LAP LENGTH SHALL BE 47 TIMES DIA. OF BAR.
4. PROVIDE CLEAR COVER TO REINFORCEMENT AS UNDER.
 - a) 25MM FOR INNER SIDE OF CABLE TRENCH.
 - b) 50MM FOR OUTER SIDE AND BOTTOM OF CABLE TRENCH
5. ALL R.C.C. SHALL BE AS PER BPS ITEMS UNLESS NOTED OTHERWISE.
6. LIFTING HOOK SHALL BE PROVIDED IN EVERY TENTH COVER SLAB.
7. NECESSARY OPENINGS SHALL BE PROVIDED AT APPROPRIATE LOCATIONS TO TAKE OUT CABLES.
8. FOR ACTUAL DEPTH OF TRENCHES REFER APPROVED CABLE TRENCH LAYOUT
9. F.G.L. DENOTES FINISHED GROUND LEVEL.
10. ALL CABLE TRENCHES SHALL HAVE A SLOPE OF 1:1000 IN THE DIRECTION OF MAIN RUN AWAY FROM THE BUILDING.
11. EARTHING CONDUCTOR 'E' 50x6 M.S. FLAT SHALL BE WELDED TO THE CABLE SUPPORTING STRUCTURE BEFORE INSTALLATION OF CABLE. EARTHING CONDUCTOR 'E' SHALL BE PROVIDED ON THE TOP TIER OF EACH CABLE TRENCH SECTION,
12. ALL STEEL STRUCTURES PLATES SHALL BE PAINTED WITH ANTI-CORROSIVE PAINT TO AN EVEN SHADE TWO OR MORE COATS OVER A COAT OF SUITABLE STEEL PRIMER BEFORE INSTALLATION OF CABLES AND EARTHING CONDUCTOR SHALL BE PAINTED RED.
13. CONSTRUCTION JOINT SHALL BE PROVIDED AT 30M OR AS PER SITE REQUIREMENT BUT NOT EXCEEDING 30M.
14. ALL SUPPORT ANGLES SHALL BE 50x50x6
15. ANCHORING FLAT (75x6) SHALL BE PROVIDED AT EACH SUPPORT ANGLE POINT.
16. INCASE EXPANSIVE SOIL IS ENCOUNTERED AT FOUNDING LEVEL, IT SHALL BE REMOVED TO A MINIMUM DEPTH OF 300 MM AND SHALL BE REPLACED BY WELL COMPACTED LOCALLY AVAILABLE C.N.S. MATERIAL OR LOCAL SAND.
17. ALL REINFORCEMENT STEEL BARS SHALL BE TMT OR HYSD BARS CONFORM TO IS:1786-1985 OF GRADE Fe500

NOTE:- THIS DRAWING SUPERCEDES STANDARD CABLE TRENCH DRAWINGS (DRG. NO.: C/ENGG/STD/CT/ 01 TO 05)

REV	DESCRIPTION	CDE (ENGG-CIVIL)	AGM (ENGG-CIVIL)	AGM (ENGG-S/S)	GM (ENGG-S/S)	APVD. BY GM (ENGG-CIVIL)	DATE
00	CABLE TRENCH SECTION 2A-2A INTRODUCED AND CABLE TRENCH CROSSING SECTIONS MODIFIED						

RELEASED FOR TENDER/CONSTRUCTION

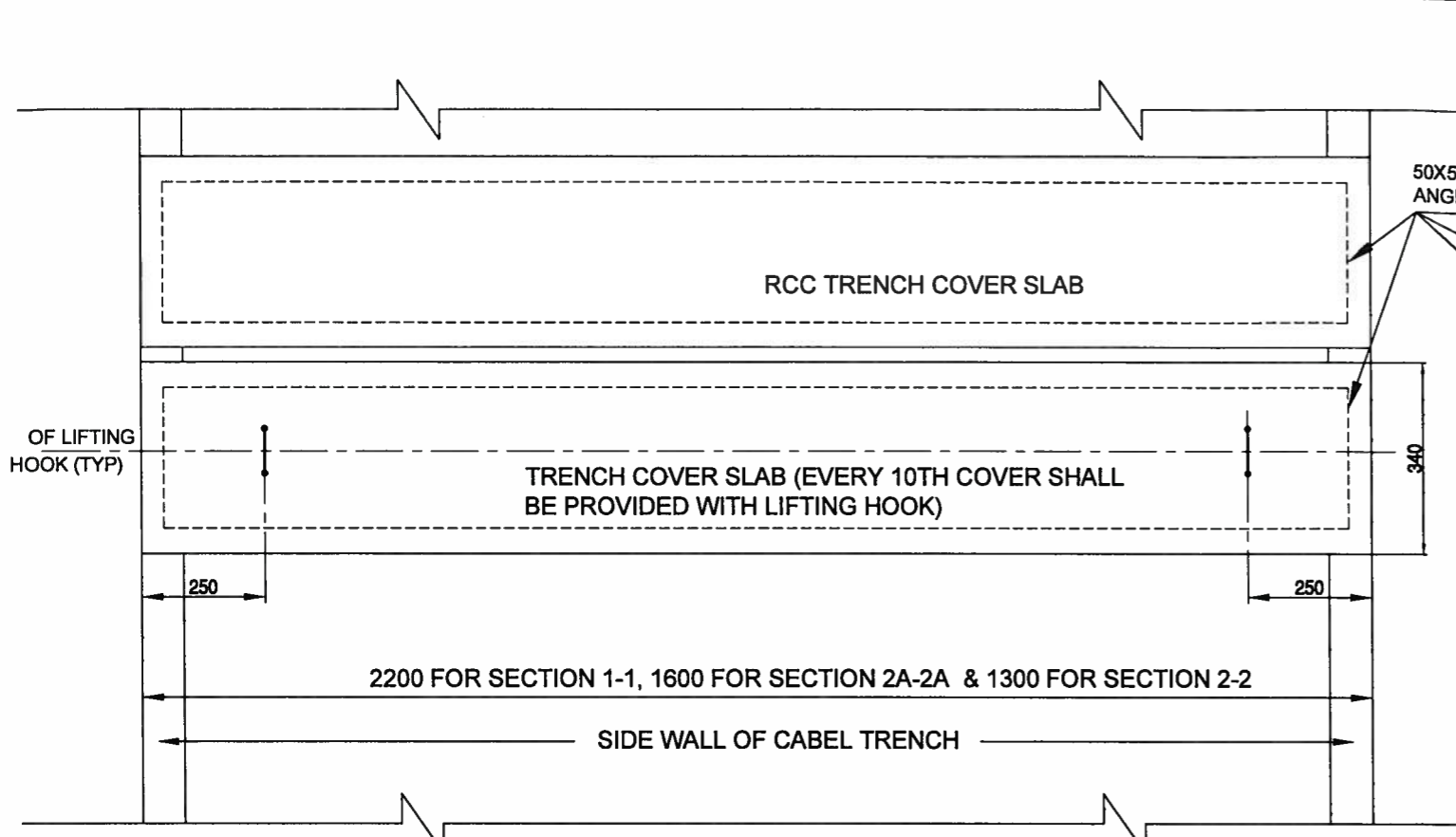
POWER GRID CORPORATION OF INDIA LIMITED
(A Government of India Enterprise)

PROJECT: STANDARD CABLE TRENCH FOR SUBSTATION SWITCH YARD

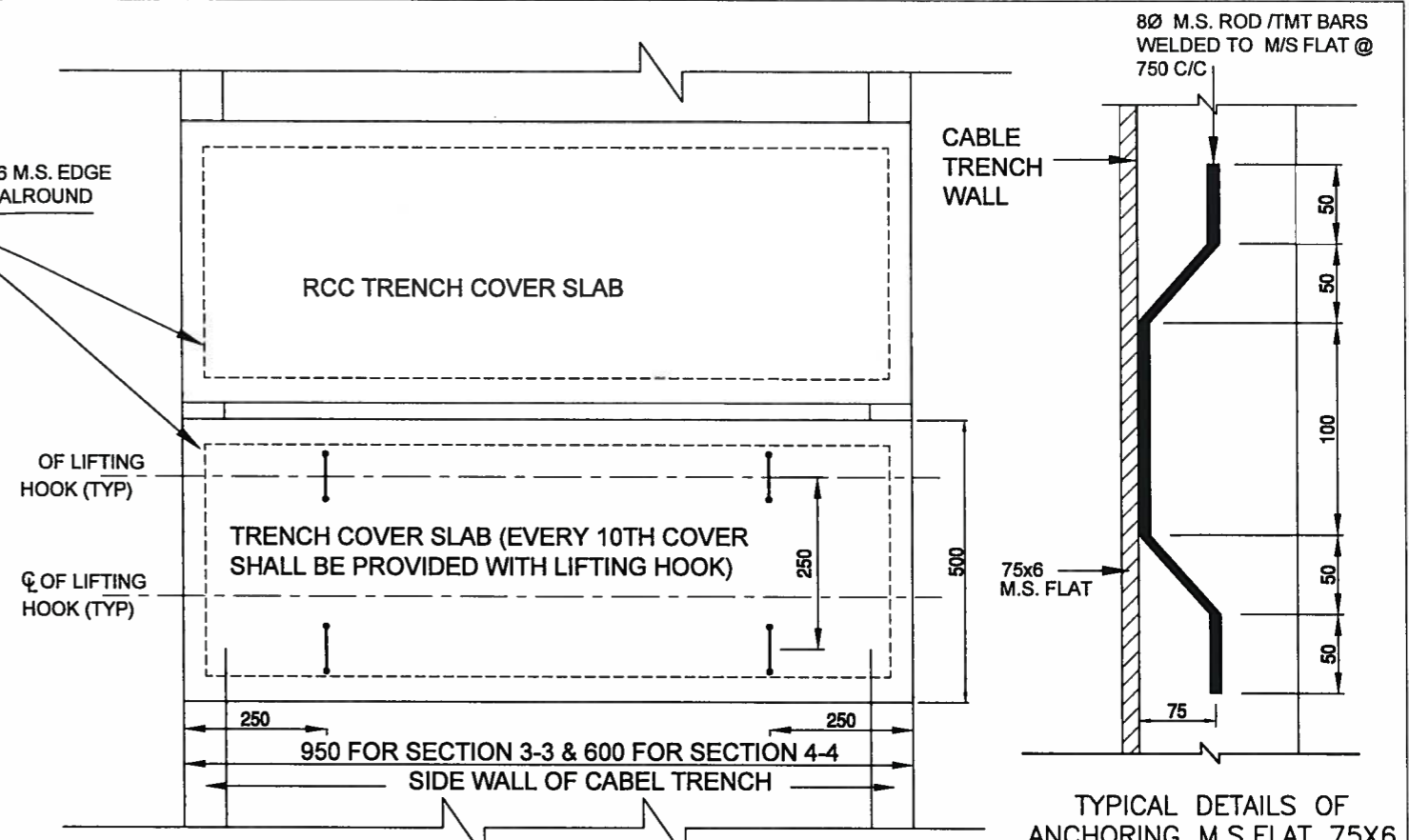
TITLE: DETAILS OF CABLE TRENCHES AND CABLE TRENCH ROAD CROSSING

DRG. NO.: C/ENGG/STD/2016/RCT/01 (Sheet 01 of 04)

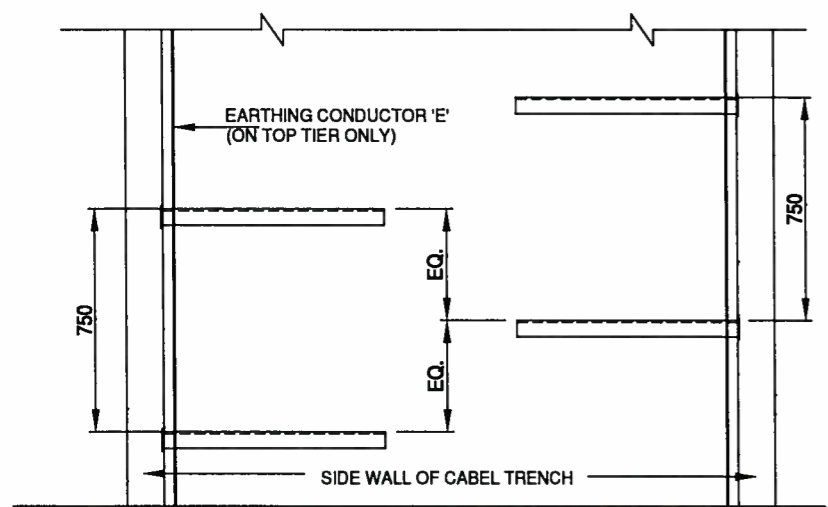
SCALE: NTS



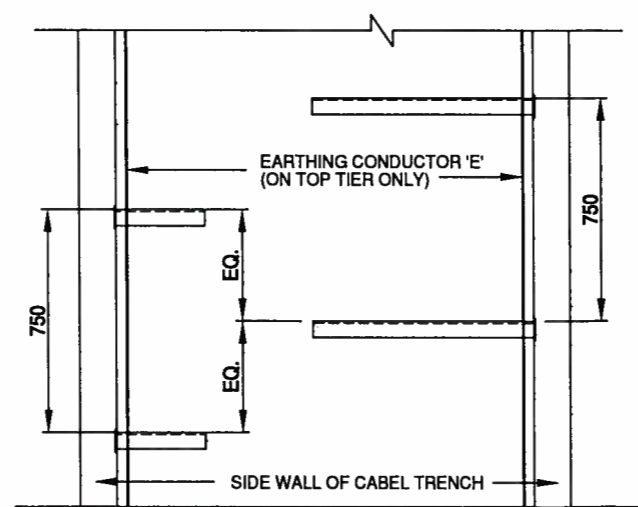
RCC COVER PLAN FOR SECTION (1-1) (2-2) & (2A-2A)



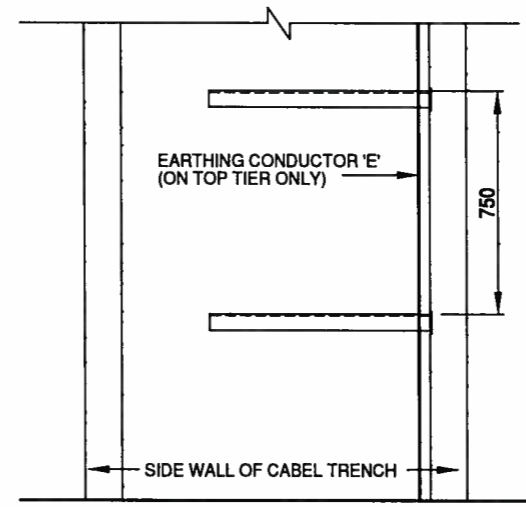
DETAIL OF TRENCH COVER SLAB FOR SECTION (3-3) & (4-4)



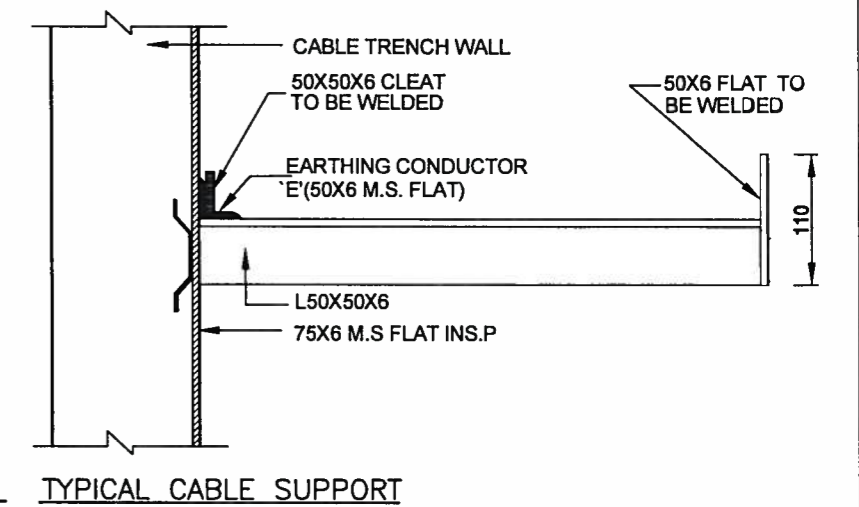
PLAN CABLE TRAY SUPPORT FOR SECTION 1-1



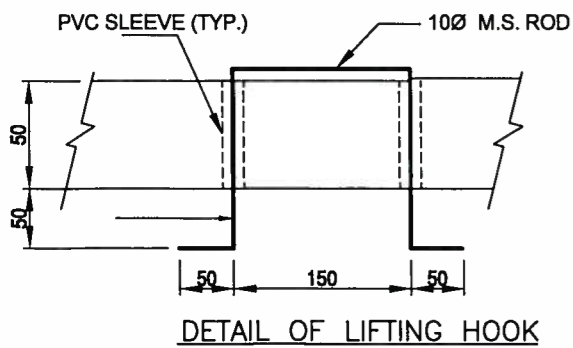
PLAN CABLE TRAY SUPPORT FOR SECTION 2A-2A



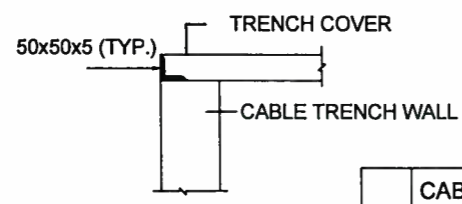
PLAN CABLE TRAY SUPPORT FOR SECTION 2-2 & 3-3



TYPICAL CABLE SUPPORT



DETAIL OF LIFTING HOOK



TYPICAL DETAIL OF SLAB SUPPORT

NOTE:- THIS DRAWING SUPERCEDES STANDARD CABLE TRENCH DRAWINGS (DRG. NO.: C/ENGG/STD/CT/ 01 TO 05)

REV	DESCRIPTION	CDE (ENGG-CIVIL)	AGM (ENGG-CIVIL)	AGM (ENGG-S/S)	GM (ENGG-S/S)	APVD. BY GM (ENGG-CIVIL)	DATE
00	CABLE TRENCH SECTION 2A-2A INTRODUCED AND CABLE TRENCH CROSSING SECTIONS MODIFIED						

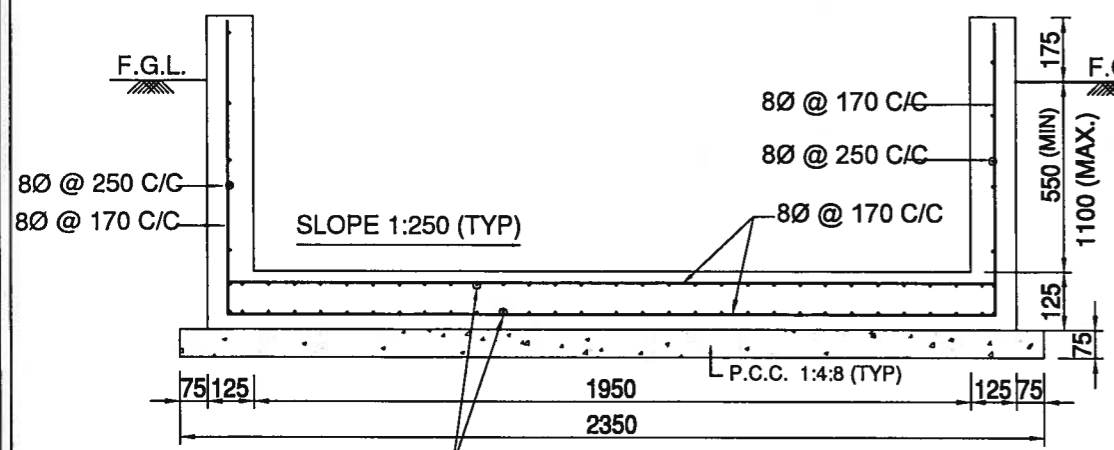
RELEASED FOR TENDER/CONSTRUCTION

POWER GRID CORPORATION OF INDIA LIMITED
(A Government of India Enterprise)

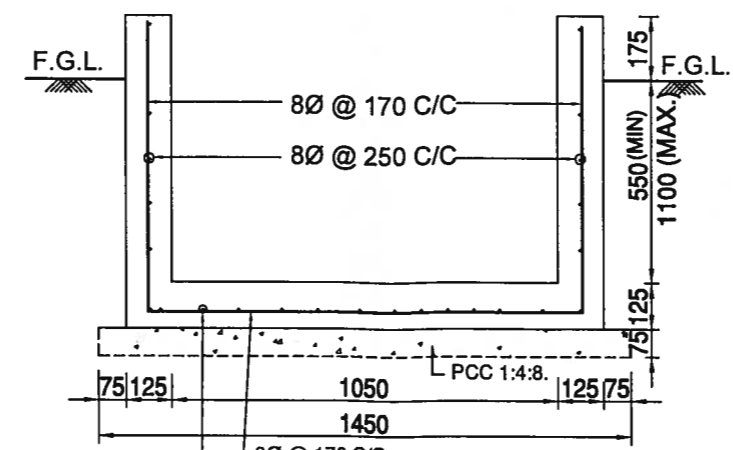
PROJECT: STANDARD CABLE TRENCH FOR SUBSTATION SWITCH YARD

TITLE: DETAILS OF CABLE TRENCHES AND CABLE TRENCH ROAD CROSSING

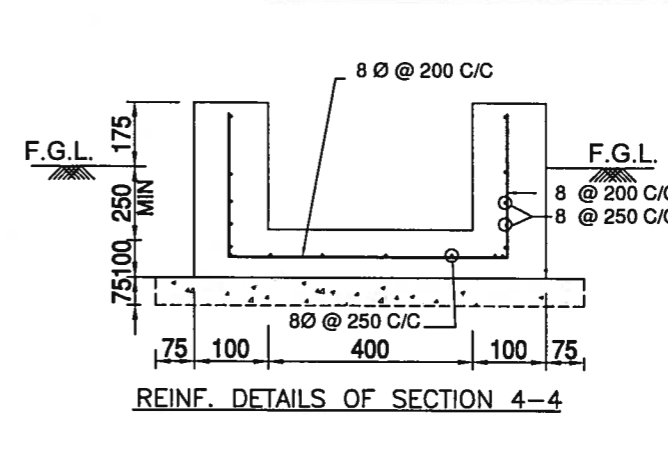
DRG. NO.: C/ENGG/STD/2016/RCT/01 (Sheet 02 of 04) SCALE: NTS



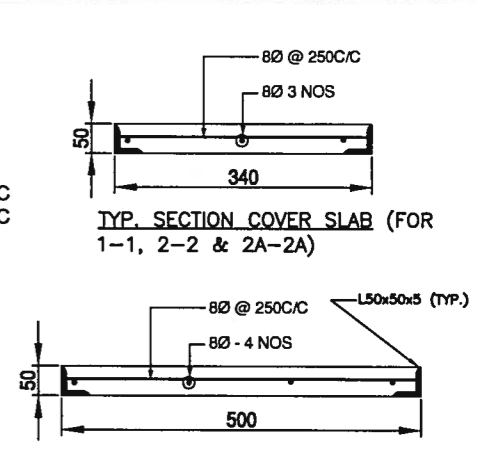
REIN. DETAILS OF SECTION 1-1



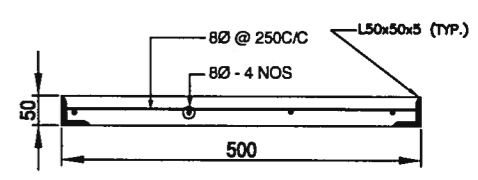
REIN. DETAILS OF SECTION 2-2



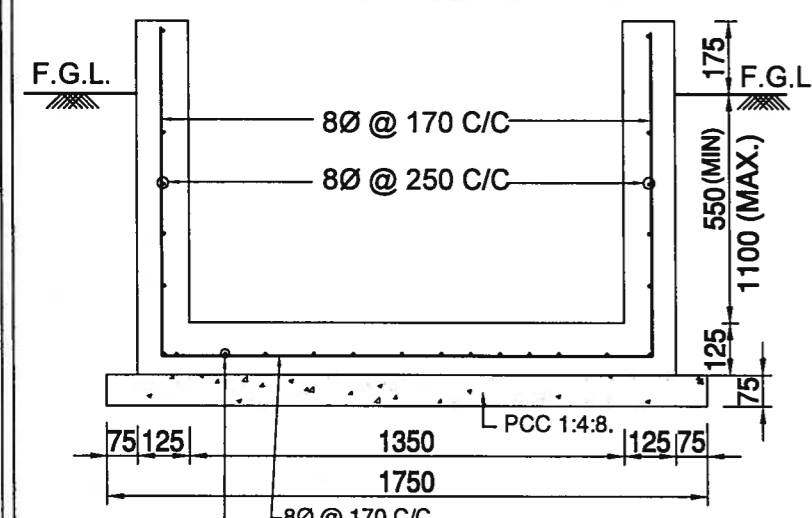
REIN. DETAILS OF SECTION 4-4



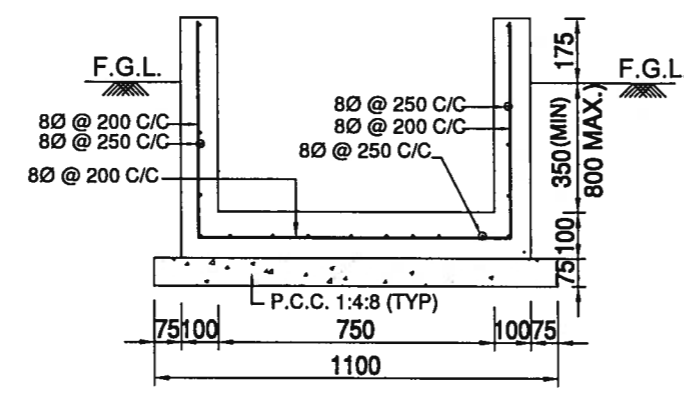
TYP. SECTION COVER SLAB (FOR 1-1, 2-2 & 2A-2A)



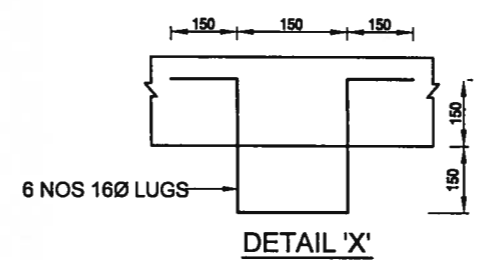
TYP. SECTION COVER SLAB (FOR 3-3, 4-4)



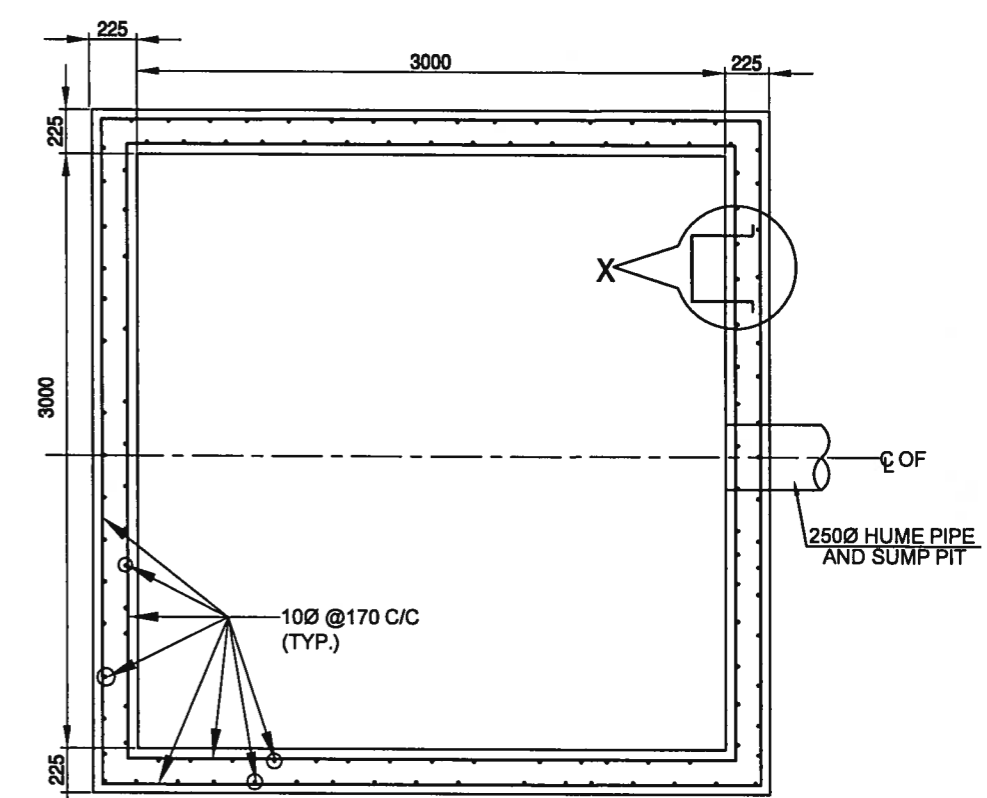
REIN. DETAILS OF SECTION 2A-2A



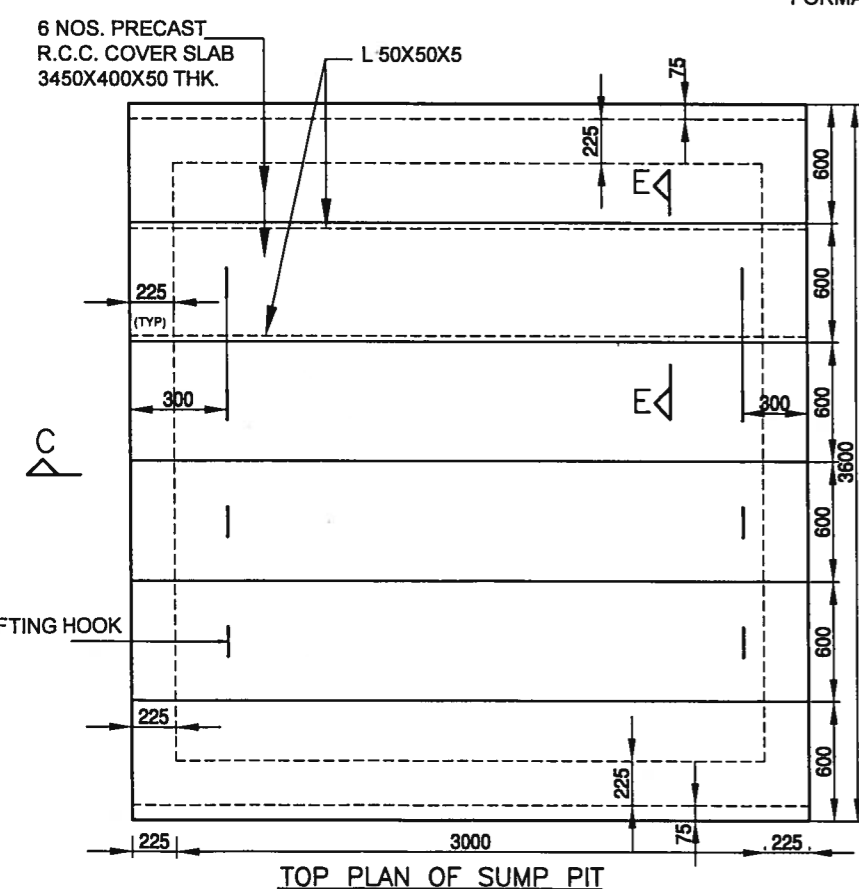
REIN. DETAILS OF SECTION 3-3



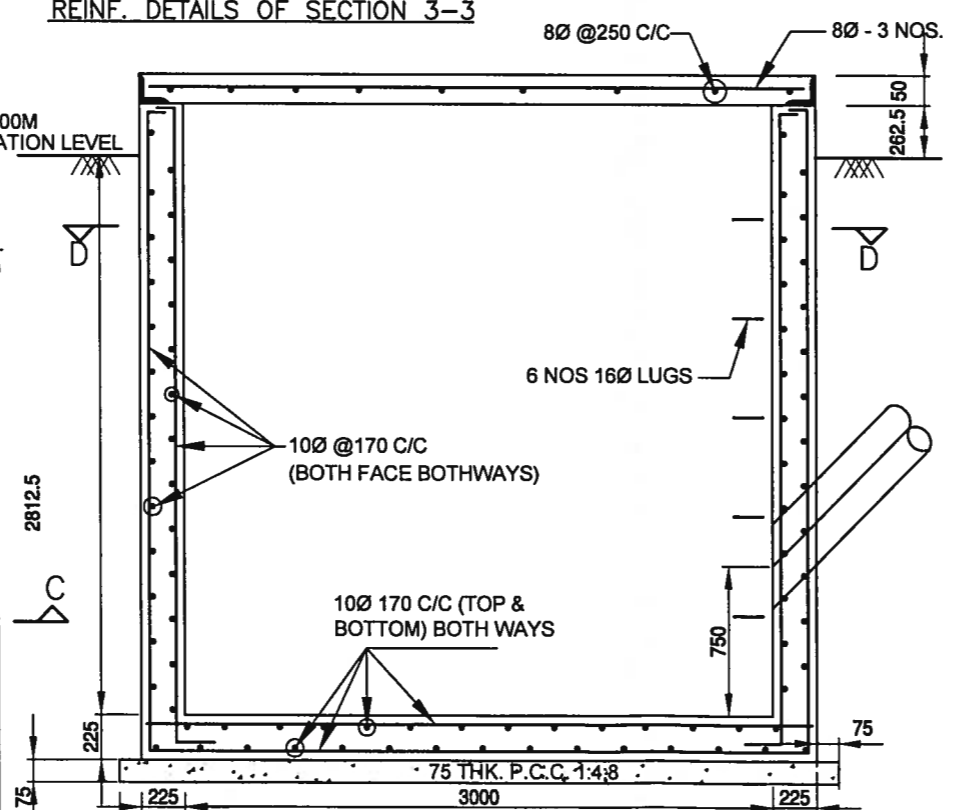
DETAIL 'X'



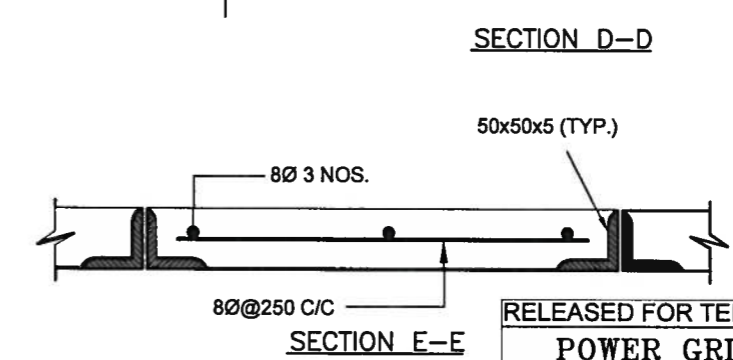
SECTION D-D



TOP PLAN OF SUMP PIT



SECTION C-C



SECTION E-E

NOTE:- THIS DRAWING SUPERCEDES STANDARD CABLE TRENCH DRAWINGS (DRG. NO.: C/ENGG/STD/CT/ 01 TO 05)

REV	DESCRIPTION	CDE (ENGG-CIVIL)	AGM (ENGG-CIVIL)	AGM (ENGG-S/S)	GM (ENGG-S/S)	APVD. BY GM (ENGG-CIVIL)	DATE
00	CABLE TRENCH SECTION 2A-2A INTRODUCED AND CABLE TRENCH CROSSING SECTIONS MODIFIED						

RELEASED FOR TENDER/CONSTRUCTION

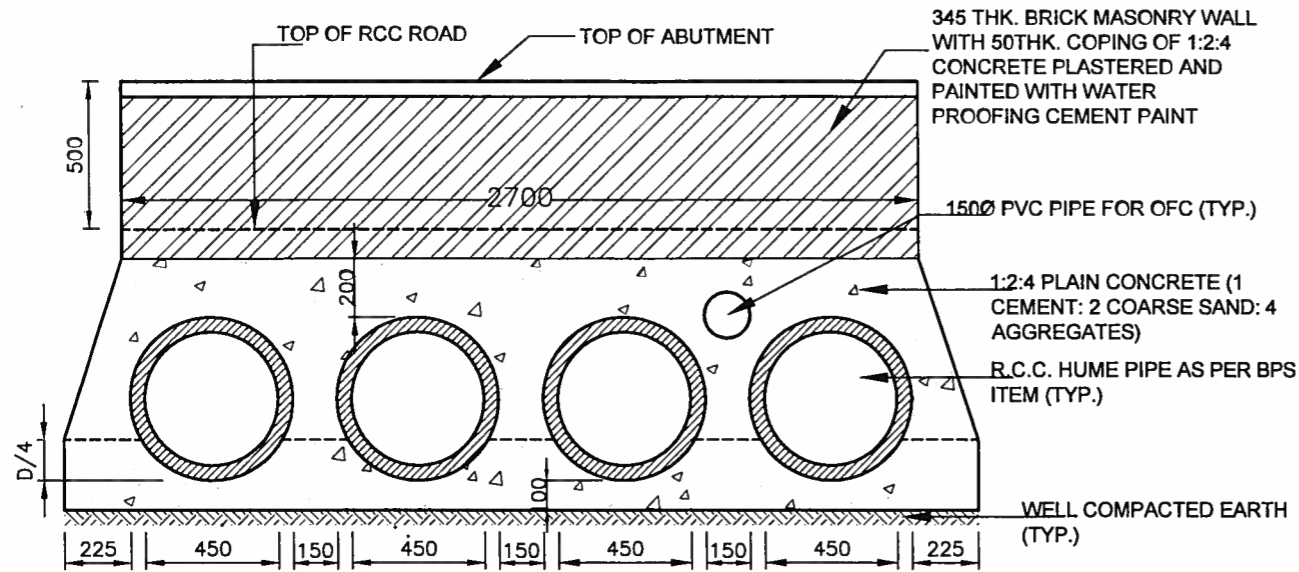
POWER GRID CORPORATION OF INDIA LIMITED
(A Government of India Enterprise)

PROJECT: STANDARD CABLE TRENCH FOR SUBSTATION SWITCH YARD

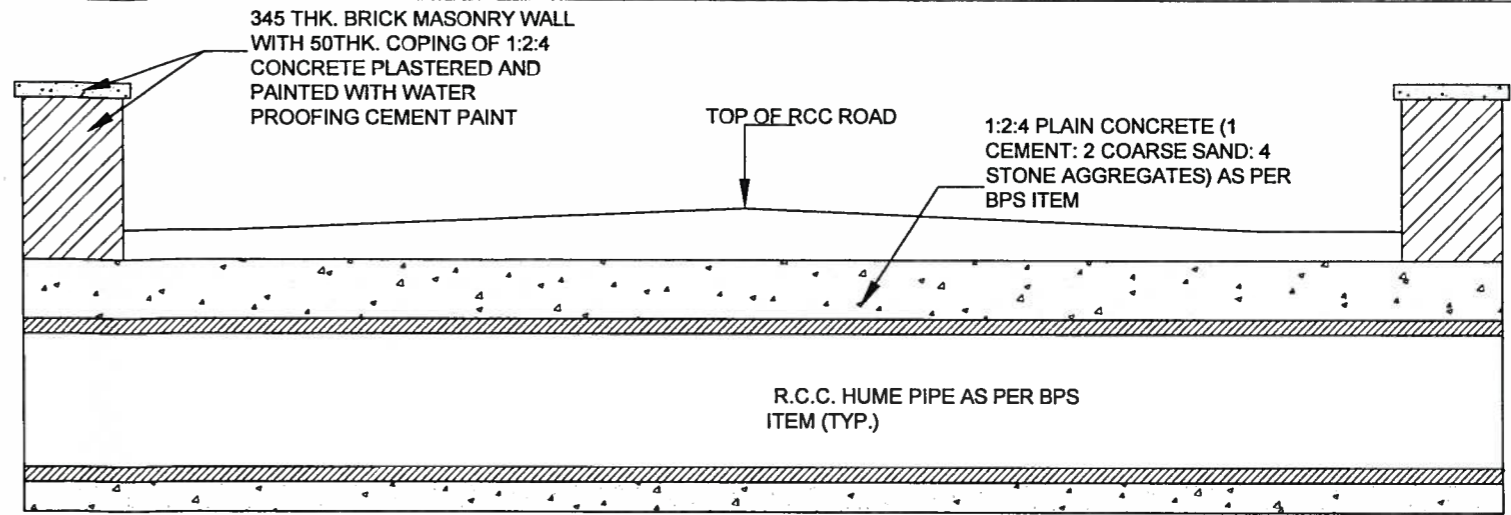
TITLE: DETAILS OF CABLE TRENCHES AND CABLE TRENCH ROAD CROSSING

DRG. NO.: C/ENGG/STD/2016/RCT/01 (Sheet 03 of 04)

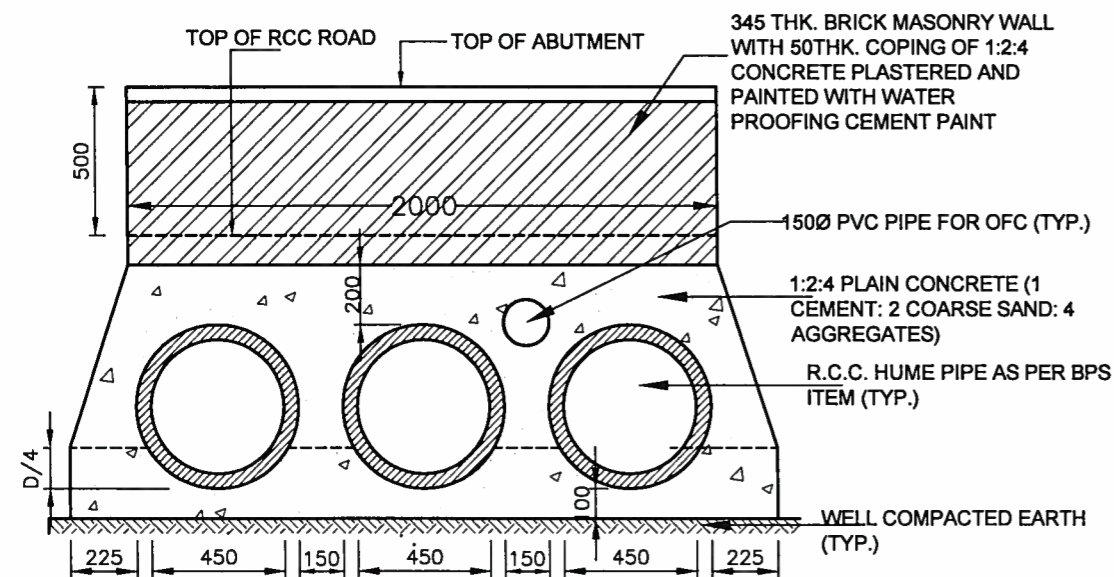
SCALE: NTS



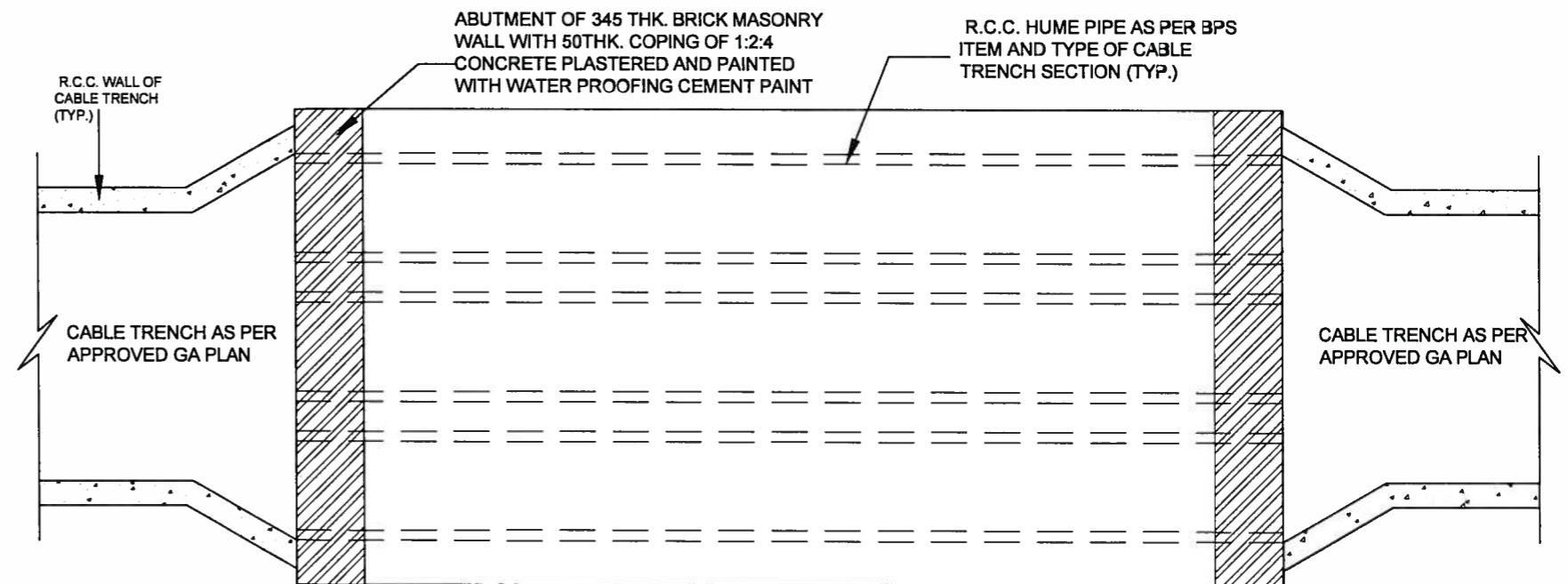
ROAD CROSSING SECTION FOR CABLE TRENCH FOR "SEC-1-1 & 2A-2A"



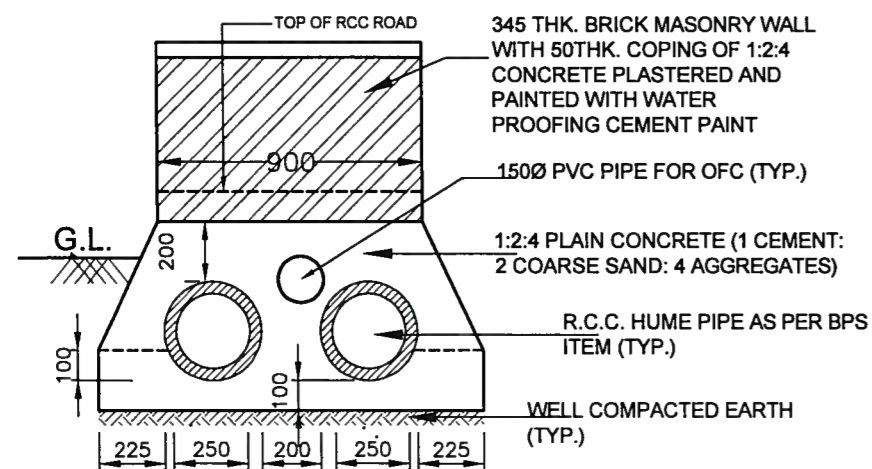
TYPICAL LONGITUDINAL ROAD CROSSING SECTION OF CABLE TRENCH THROUGH RCC PIPE



ROAD CROSSING SECTION FOR CABLE TRENCH "SEC.-2-2"



TYPICAL PLAN OF CABLE TRENCH WITH ROAD CROSSING



ROAD CROSSING SECTION FOR CABLE TRENCH "SEC.-3-3"

NOTE:- THIS DRAWING SUPERCEDES STANDARD CABLE TRENCH DRAWINGS (DRG. NO.: C/ENGG/STD/CT/ 01 TO 05)

REV	DESCRIPTION	CDE (ENGG-CIVIL)	AGM (ENGG-CIVIL)	AGM (ENGG-S/S)	GM (ENGG-S/S)	APVD. BY GM (ENGG-CIVIL)	DATE
00	CABLE TRENCH SECTION 2A-2A INTRODUCED AND CABLE TRENCH CROSSING SECTIONS MODIFIED						

RELEASED FOR TENDER/CONSTRUCTION

POWER GRID CORPORATION OF INDIA LIMITED
(A Government of India Enterprise)



PROJECT: STANDARD CABLE TRENCH FOR SUBSTATION SWITCH YARD

TITLE: DETAILS OF CABLE TRENCHES AND CABLE TRENCH ROAD CROSSING

DRG. NO.: C/ENGG/STD/2016/RCT/01 (Sheet 04 of 04) SCALE: NTS